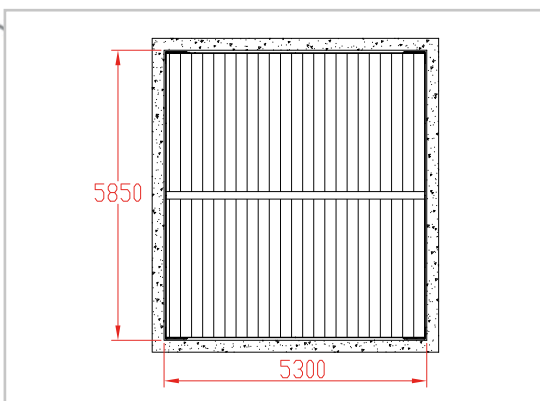
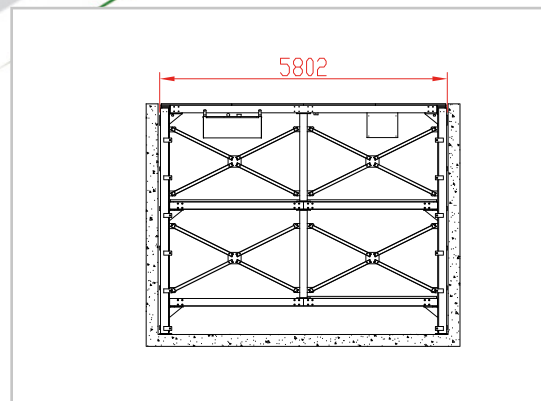
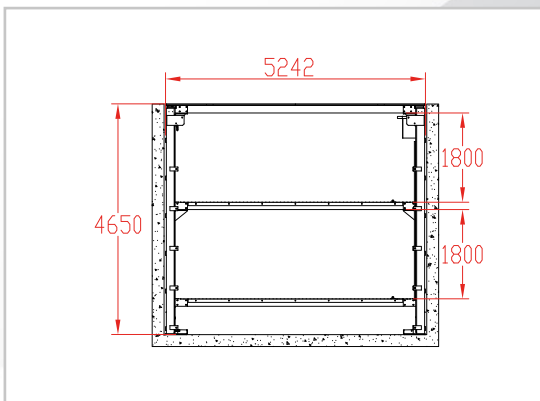


DOUBLE WIDE UNDERGROUND PARKING SYSTEM (UPS-2D)

- Double wide platforms to carry 4 cars on lower levels .
- Upper platform is used as drive through only, not allowed for parking over it.
- Subterranean parking system inside concrete pit without prominent structure.
- Hydraulic driven with vertical cylinders, oil tubes & hoses and valves system.
- Customized product based on pit size, for residential & commercial use.
- Side supports of posts together with longitudinal & cross beams to keep unity.
- Complete chain & sprocket system to ensure balance & stability during operation.
- Chain anti-rupture devices to stop the system in case of chain rupture.
- Diamond- plates for the upper platform & galvanized wave plates for lower ones.
- Tires stoppers in lower platforms to ensure correct placement of the cars.
- Limit switch in every level to stop platforms at predefined heights, IP 67.
- Operation box with dead man push buttons, emergency and on/off key.
- Electric Operation Box is operated with 24 V to protect against short circuit.
- Hydraulic power unit is fixed inside backside noise-insulated compartment .
- Optional water pump inside the pit to pump out the water in case of flooding.
- The standard finishing is hot dip galvanized but can be in powder coated too.



PARAMETERS

DOUBLE WIDE UNDERGROUND CAR PARKING SYSTEM (UPS-2D)

Model	UPS-2D
Lifting Capacity	4000 Kg / platform
External Dimensions	5242 x 5802 x 4650 mm
Parking Space	4+2
Canopy / Top Level	Drive Through Only
Operation System	Lifting cylinders. HPU & electric panel are mounted under canopy
HPU	7.5 Kw
Voltage	380 V / 50 Hz - 60 Hz / 3Ph
NOTE	Customized product with variable dimensions per request