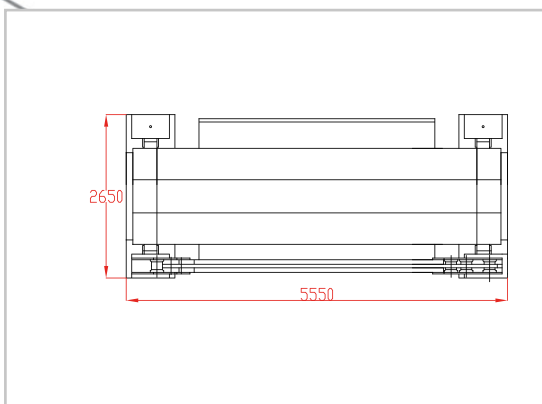
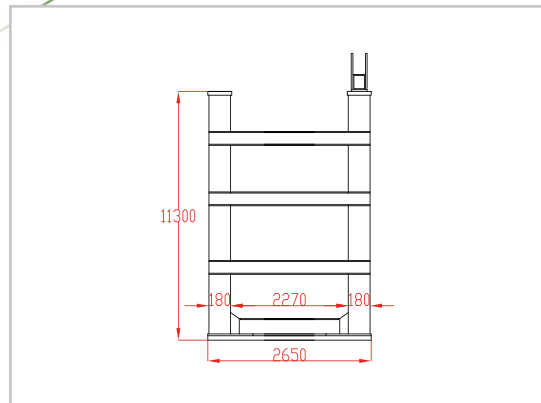
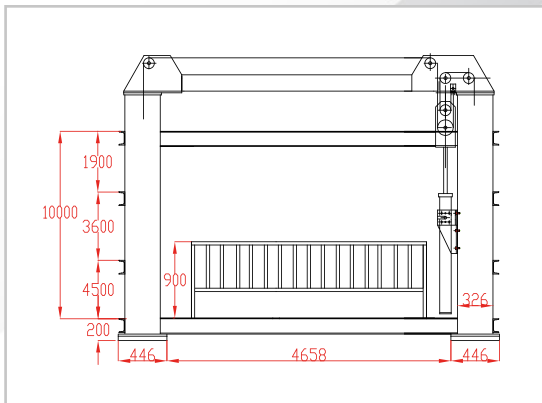


HYDRAULIC FOUR POST Car Elevator (LFP)

- Floor mounted 4 post heavy duty car elevator for outdoor use.
- Customized design based on requested lifting heights, lifting capacity and number of floors stops.
- Hydraulic drive system with horizontal cylinder and synchronized dual-chain lifting ensures the platform deck remains leveled throughout the vertical travel, even with off-centered loads.
- Hydraulic power unit and electric panel are protected inside ergonomic compact size console with portable operation box.
- Side barrier fences fixed on the platform deck to ensure safety and visibility.
- Thick reinforced steel platform minimizes deflection and maximizes stability.
- This car lift is ideal for lifting cars among ground, upper & lower levels.
- Steel parts are shot blasted and 2-layers spray painted with desired color.



PARAMETERS

HYDRAULIC 4 POST CAR ELEVATOR (LFP)

Model	LFP 40/2400	LFP30/10000
Lifting Capacity	4000 Kg	3000 Kg
External Dimensions	5900 x 2900 x 3700 mm	5550 x 2650 x 11300
Number of Stops	Ground+1	Ground + 3
Operation System	Cylinder with chains. Electric panel and push-button controls	
HPU	4 Kw	4 Kw
Voltage	380 V/50 Hz-60 Hz / 3Ph	
Note	Customized product with variable dimensions & specs. per request	