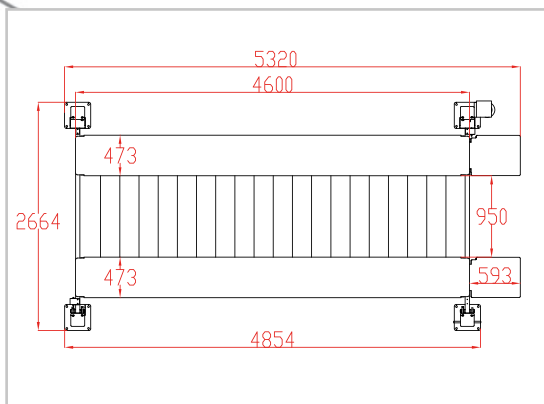
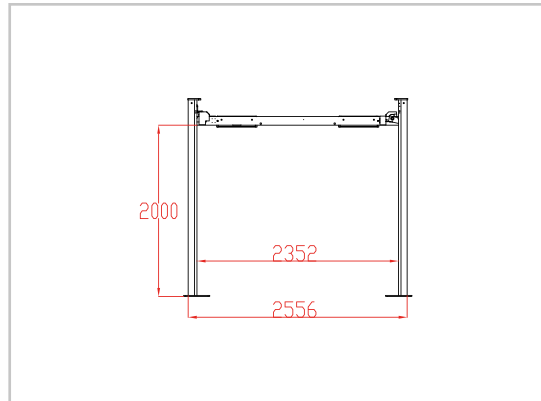
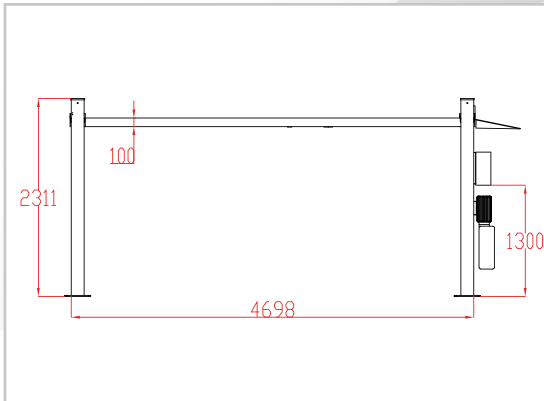


4 POST CAR PARKING LIFT (Bended Sheet Type) (PFP27-36/2000)

- Multiple-use parking lift to double your car space.
- Hydraulic cylinder with steel ropes & sheaves lifting system.
- All posts are equipped with steel ladder with holes of 100 mm pitch.
- Safety locks engage automatically inside holes during lifting UP .
- Additional safety lock to be engaged automatically in case of rope / cable rupture.
- Manual or electromagnetic lock release as per customer request.
- Limit switches fixed on posts to control lifting height.
- High polymer polyethylene sliding blocks, wear-resistant.
- Platform runway & ramps made of diamond steel plates.
- Movable oil drip trays or galvanized wave plates in the middle.
- Electric panel with integrated operation push button controls, 24 V.
- Steel parts are shot blasted then powder coated with desired color



PARAMETERS		FOUR POST CAR PARKING LIFT (BENDED SHEET TYPE - PFP)	
Model	PFP27/2000	PFP36/2000	
Lifting Capacity	2700 Kg	3600 Kg	
Lifting Height	2000 mm	2000 mm	
External Dimensions	5320 x 2664 x 2311 mm (Customized as per request)		
Operation System	Cylinder with ropes. Hanged electric panel with push-button controls		
Lock Release	Electromagnetic lock release		
Middle of Runway	Oil drip trays / Galvanized wave plates		
HPU / Voltage	2.2 KW / 220 V - 380 V / 50 Hz - 60 Hz / 1 Ph -3 Ph		