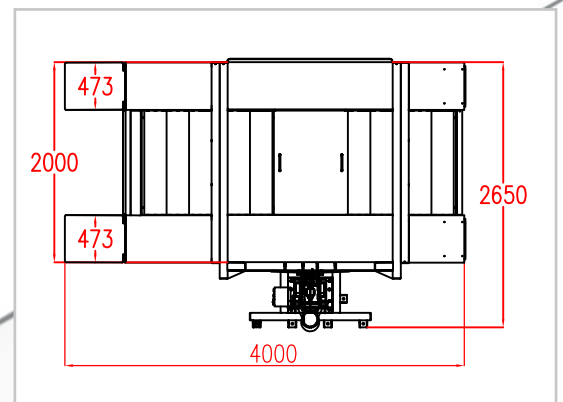
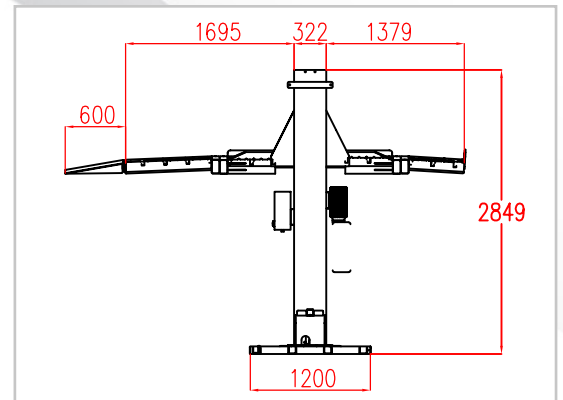
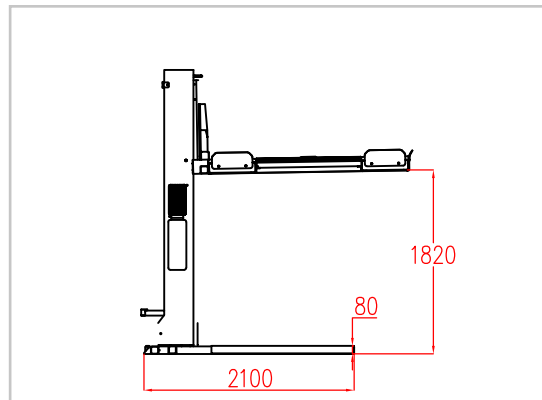


SINGLE POST CAR PARKING LIFT CE (POP20/1850)

- Compact size design without need for maneuvering area.
- Ramps & tire stopper positions are interchangeable in both sides .
- Hydraulic power unit & electric panel are reversible on post sides.
- Usability in corridors, aisles without blocking the road.
- Possibility to remove steel base to free up the floor by fixing the post from top & bottom to the wall by anchor flanges.
- Hydraulic cylinder inside the post lifting the platform through carriage & chain lifting system.
- Well-engineered lift design automatically engages safety lock latch at different heights when raising Up.
- Electromagnetic lock release automatically activates during descending phase (Down).
- Platform runway made of diamond steel plates and wave plates.
- Product certified according to BS EN 14010: 2003 +A1: 2009 & EN 1493:2010.
- Steel parts are shot blasted then powder coated with desired color.



PARAMETERS SINGLE POST CAR PARKING LIFT (POP)

Model	POP20/1850
Lifting Capacity	2000 Kg
Lifting Height	1820 mm
External Dimension	4000x2650x2849 mm
Runway Width	2000 mm
Operation System	Cylinder with carriage. Side electric panel with push-button controls
Lock Release	Manual or Electromagnetic lock release
HPU / Voltage	2.2 Kw / 220 V - 380 V / 50 Hz- 60 Hz / 1 Ph - 3 Ph